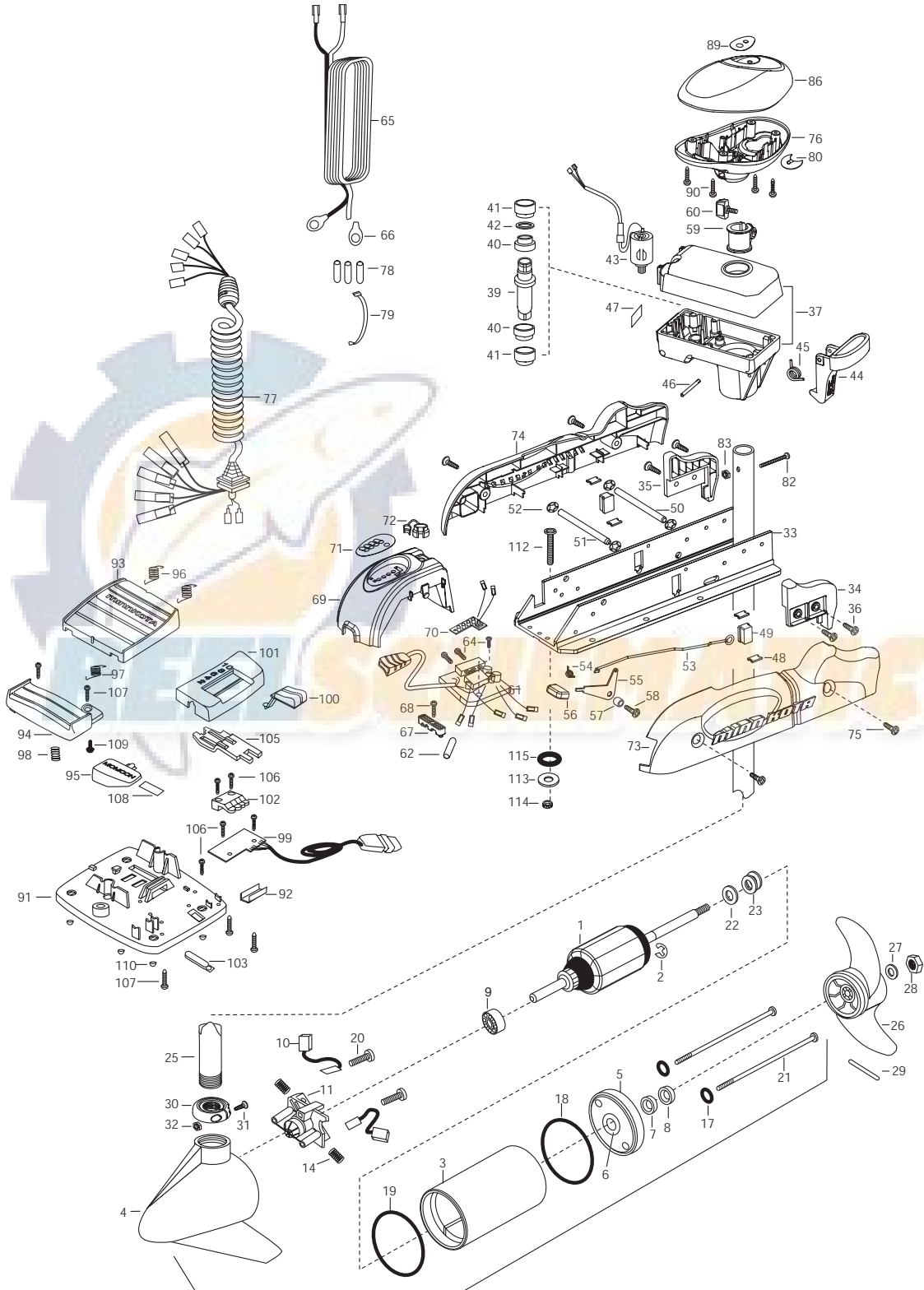


40PD
40 LBS THRUST
12 VOLT 42 AMPS
48" SHAFT

for use with "MKAF" serial numbers
2-year warranty from the date of purchase



1	2-100-201	ARMATURE ASSEMBLY 12V 3.25	*41	2307305	BUSHING- OUTER [2.EA]	82	2033400	SCREW-10-24 X 1-3/4
2	788-015	RETAINING RING	*42	2304603	O-RING	83	2013110	NUT-HEX 10-24 NYLOC
3	2-200-079	HOUSING ASSEMBLY CENTER 3.25 TXT	43	2307045	MOTOR- DRIVE HOUSING HIGH SPD	86	2300235	CONTROL BOX COVER- POWERDRIVE
4	421-132	HOUSING BRUSH END 3.25 TXT	44	2307205	LATCH HANDLE PD/AP	89	2315662	DECAL- COVER 40PD '2001
5	2-400-128	PLAIN END HOUSING ASSEMBLY	45	2302750	SPRING- LATCH TORSION PD/AP	90	2012100	SCREW-8-18 X 5/8 [4.EA]
6	144-049	FLANGE BEARING (SERVICE ONLY)	46	2302607	PIN- DRIV-LOK GROOVE ZINC TYPE	■	2774700	FOOT PEDAL ASSEMBLY
7	880-003	SEAL	47	2305515	DECAL-STOW/DEPLOY	91	2304511	FOOT PEDAL BASE
8	880-006	SEAL WITH SHIELD	48	2305110	PAD-PIVOT SUPT [4.EA]	92	2308500	WEAR PLATE FOOT PDL
9	140-010	BEARING - BALL	49	2305101	PIVOT PAD [2.EA]	93	2304516	FOOT PEDAL-UPPER
10	188-052	BRUSH ASSEMBLY [2. EA]	50	2300500	PIN-LATCH	94	2304520	FOOT PEDAL-LOWER
11	738-030	BRUSH PLATE W/HOLDER 3.25	51	2300510	PIN-PIVOT	95	2307210	LEVER MOM/CON-
14	975-032	SPRING - COMPRESSION [2.EA]	52	2013100	NUT-SPEED [4.EA]	96	2302730	SPRING-LONG-UPPER PEDAL [2.EA]
17	701-007	O-RING [2. EA]	53	2303612	ROD-RELEASE RT/AP SS	97	2302731	SPRING-SHORT-UPPER PEDAL
18	701-039	O-RING MK406460	54	2302700	SPRING-RELEASE LEVER	98	2302732	SPRING-LOWER PEDAL
19	701-041	O-RING	55	2303710	LEVER-RELEASE	99	2304012	CONTROL BOARD ASSEMBLY-FT PDL
20	830-001	SCREW - SELF-THREAD 8-32X1.7 [2.EA]	56	2300101	RELEASE-KNOB	100	2300120	KNOB-SPEED SELECTOR
21	830-078	THRU BOLT 8-32 X 8.96 [2. EA]	57	2301700	SPACER-RELEASE LEVER	101	2300121	HOUSING SPEED SELECTOR
22	990-067	WASHER - STEEL THRUST	58	2303430	SCREW-1/4-20 X 5/8	102	2302840	ACTUATOR-BOARD
23	990-070	WASHER - NYLATRON [2.EA]	59	2031522	COLLAR- DRIVE (W/INSERT)	103	2302841	ACTUATOR-MOM/CON
■	2068253	MOTOR ASSEMBLY 12V 3.2.5 VARS TXT (INCLUDES 1-24)	60	2011365	SCREW-COLLAR/NEW KNOB	105	2302842	ACTUATOR-STEERING
25	2032075	TUBE-CARBON COMPOSITE 48"	61	2304041	CONTROL BOARD ASSEMBLY- 12V PD/AP	106	2302100	SCREW-6-20 X 1/2 [5.EA]
■	1378126	PROPELLER KIT	62	2355400	SHRINK TUBE-3/8 ODX2	107	2372100	SCREW-8-18 X 5/8 [5.EA]
26	2061125	PROPELLER W/WEDGE	64	2332100	SCREW-8-32 X 3/8 [3.EA]	108	2266610	DECAL-ON/OFF SWITCH
27	2151726	WASHER-5/16 SS	65	2090601	LEADWIRE IOGA 44"	109	2335130	BUMPER ACTUATOR
28	2053101	NUT-PROP NYLOC	66	2020700	TERMINAL RING [2.EA]	110	2994807	BAG ASSEMBLY- 4 RUBBER BUMPERS
29	2092600	PIN-DRIVE	67	2222906	STRAIN RELIEF- BRACKET PD/AP	■	2994803	BAG ASSEMBLY- (BOLT,NUT,WASHERS)
30	2301545	COLLAR- LATCH PD/AP	68	2303430	SCREW-1/4-20 X 5/8	*112	2153501	BOLT-MOUNTING-3500 W/STG [4.EA]
31	2303434	SCREW- 8-32X5/8 MACH PHCR	69	2306555	HOUSING- CENTER PD/AP	*113	2151726	WASHER-5/16 [4.EA]
32	2303112	NUT 8-32 NYLOC SS	70	2034025	BATTERY GAUGE - 12 VOLT	*114	2153100	NUT-5/16-18 MOUNTING [4.EA]
33	2301932	EXTRUSION- BASE MACHINED	71	2306609	DECAL, BATTERY GAUGE	*115	2301720	WASHER-MOUNTING RUBBER [6.EA]
34	2303930	MOTOR REST- RIGHT SMALL	72	2302935	STRAIN RELIEF-DR. HOUSING			
35	2303935	MOTOR REST- LEFT SMALL	73	2303941	SIDEPLATE (RIGHT)PD			
36	2303430	SCREW 1/4-20X5/8 SELF TAP [4.EA]	74	2303946	SIDEPLATE(LEFT)PD			
37	2301845	DRIVE HOUSING PD/AP 2001	75	2303430	SCREW-1/4-20 X 5/8- [4.EA]			
■	2882011	BUSHING/ OUTSHAFT KIT (INCLUDES 39-42)	76	2302515	CONTROL BOX PD/AP			
*39	2302010	DRIVE HOUSING OUTPUT SHAFT	77	2991250	COIL CORD WSTRAIN RELIEF 48"			
*40	2307304	BUSHING- INNER [2.EA]	78	2065400	WIRE INSULATOR-LGE 1-3/4 [3.EA]			
			79	9950433	TIE WRAP-4" BLACK			
			80	2224700	INSERT- PLUG			

